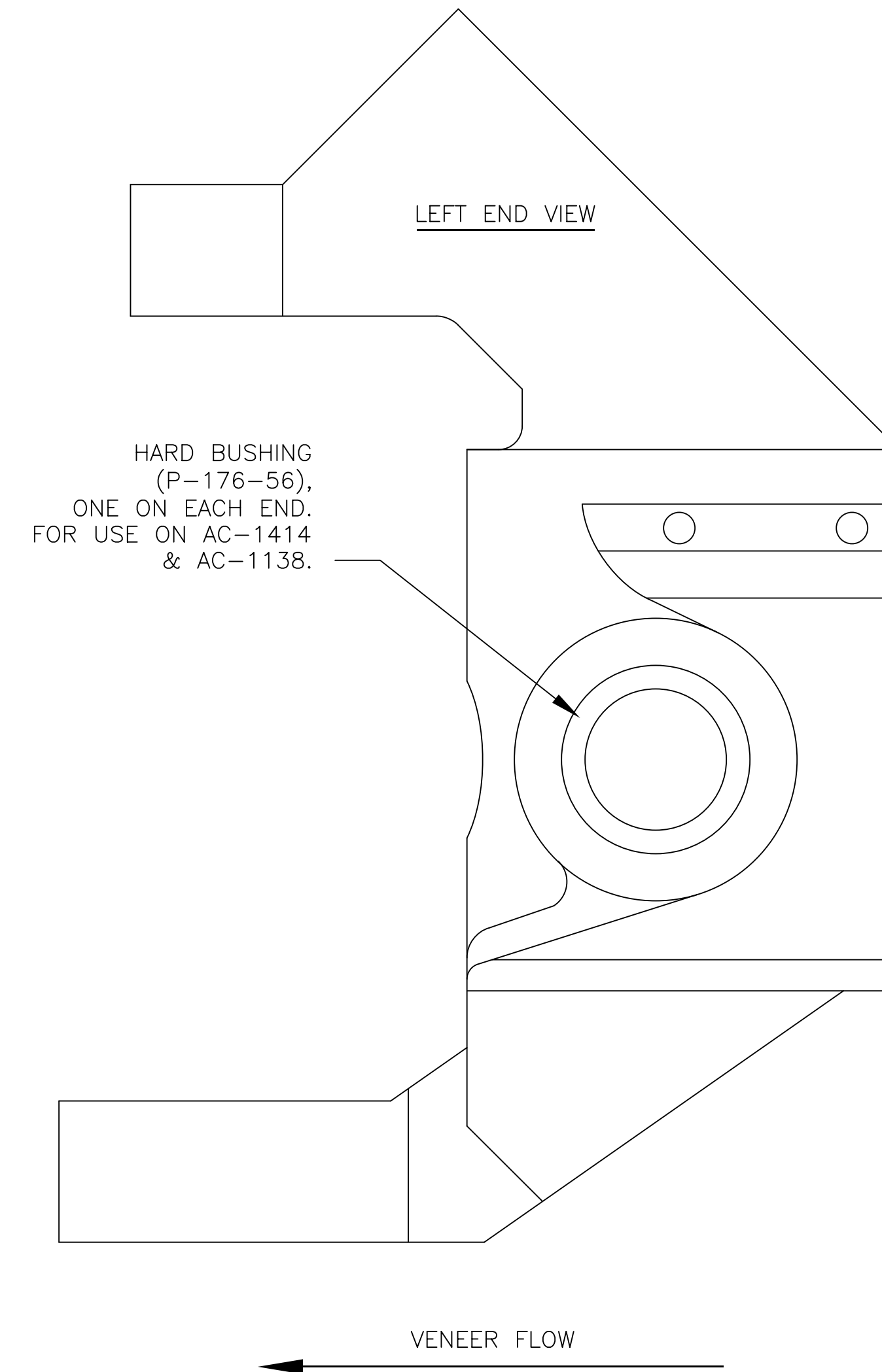
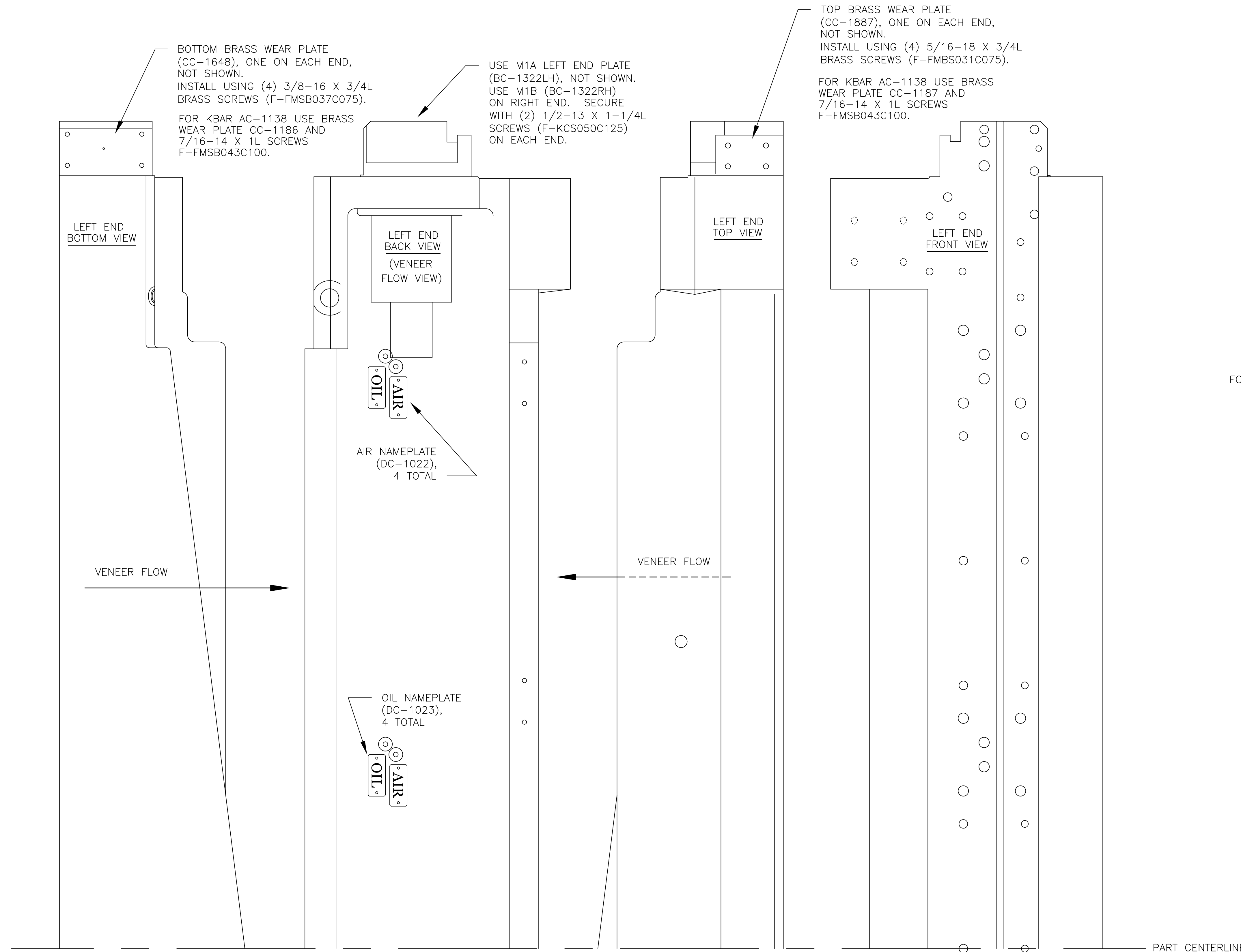


REVISIONS				
REV	DESCRIPTION	ECN#	DATE	INTL
0	INITIAL RELEASE		2092 7/18/08	MW

NOTES:

1. ALL DIMENSIONS ARE INCHES, UNLESS OTHERWISE SPECIFIED.
2. DIRECTION IS DETERMINED WHEN VIEWING IN THE DIRECTION OF VENEER FLOW.
3. SOME HIDDEN LINES REMOVED FOR CLARITY.
4. HALF OF CAST SHOWN, MIRROR VIEW FOR FULL VIEW.



ITEM	QTY	PART	DESCRIPTION	REF
1	1	AC-1414	PRESSURE BAR CASTING	

**CALVERT MANUFACTURING INC.**  
 MACHINE DESIGN SPECIALISTS FOR THE WOOD INDUSTRY  
 245 NORTH ST. LONGWOOD, FL. 32750

TOLERANCES ON:		TITLE		REV		SIZE	
ALL DIMENSIONS ARE INCHES UNLESS OTHERWISE SPECIFIED.		PRESSURE BAR ASSEMBLY		0		D	
FRACTIONS & WHOLE #:	+/- 1/32	DATE DRAWN:	7/18/08	DRAWN BY:	MW	DRAWING #:	AC-1414-LIT
2 PL. DECIMALS:	+/- .01	CHECKED BY:		APPROVED BY:		PART NO.:	AC-1414
3 PL. DECIMALS:	+/- .005	DEGREES:	±1/2°	SCALE:	1/4	SHEET:	1 OF 1
FILE PATH: \ENGI\DRAWINGS\MASTER\PBAR\AC-1414-LIT.DWG							

APPLICATION	USED ON
	PBAR

CONFIDENTIAL  
 THIS DRAWING IS THE PROPERTY OF CALVERT MANUFACTURING INC. AND IS SUPPLIED SOLELY FOR QUOTATION OR FABRICATION. INFORMATION AND THE DESIGN TO CALVERT MANUFACTURING, INC. IT IS NOT TO BE REPRODUCED OR COPIED BY ANY MEANS OR DISCLOSED TO OTHER. THIS DRAWING IS TO BE RETURNED PROMPTLY UPON REQUEST BY CALVERT MANUFACTURING, INC.